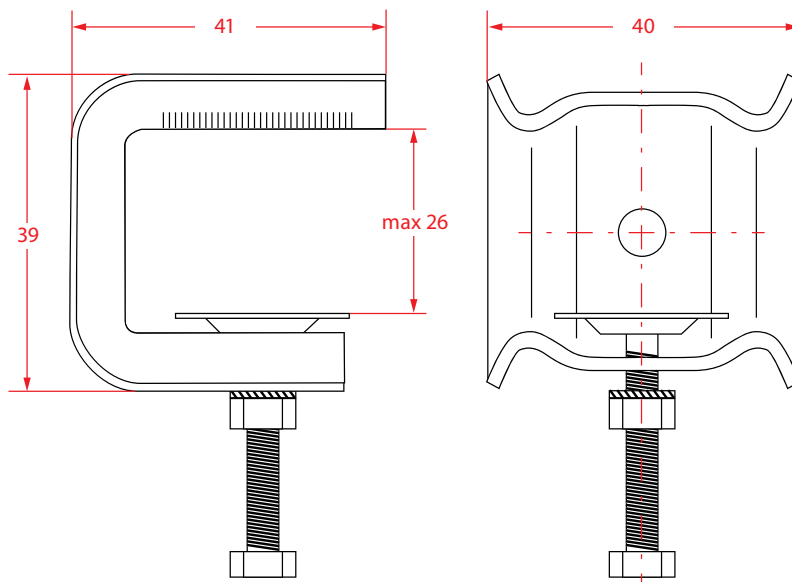


**Universal clamp with an anvil; flat; round and angular**

**Material: Stainless steel**

**KU**



Compatible with CU; FBU; FFB.

Name / code		 gram
KU	50/100	127