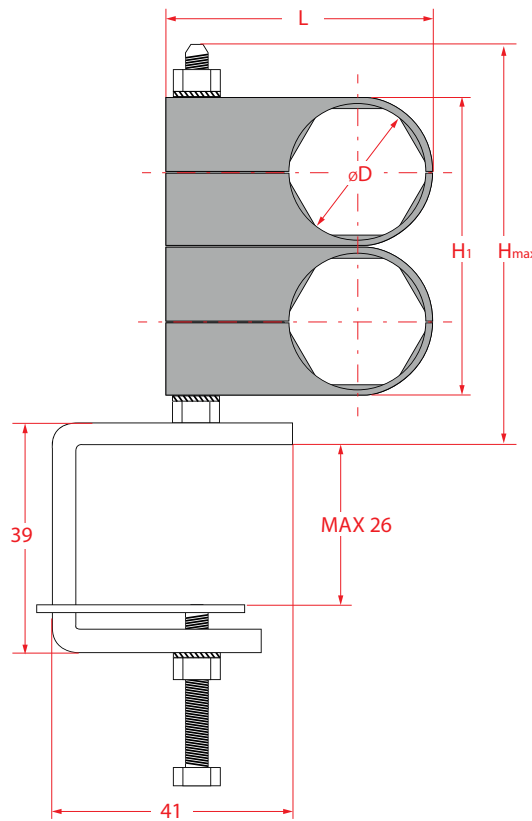


**Cable clamps universal mount with an anvil; flat; round and angular**

**Material: Stainless steel**

**Polyamide with black glass fiber, resistant to UV radiation**

**FUs**



- FCA4
- FCA4S
- FCA5
- FCA5S
- FCB
- FCB20
- FCB20s
- FCC
- FCCS
- FCE
- FCEs
- FCM
- FCMs
- FCU
- FCUs
- FU
- FUS
- CU
- FBU
- KU
- KUs
- FFB
- FFS200
- FFS105 / FFS200
- PC10-40

...and more other solution for request.

Figure	Name / code	∅D	L	H <sub>1</sub>	H <sub>max</sub>		gram
	FUs 1 X 5,6	5,1- 6,0	33	12	57	50	162
	FUs 1 X 8	7,0- 8,0	33	12	57	50	162
	FUs 1 X 9	8,0- 9,2	41	20	65	50	177
	FUs 1 X 10	9,8- 10,5	41	20	65	50	176
	FUs 1 X 11	10,5- 11,5	41	20	65	50	175
	FUs 1 X 3/8" (14)	13,0- 14,0	41	20	65	50	171
	FUs 1 X 1/2" (17)	16,0- 17,0	41	20	65	50	170
	FUs 1 x 18,5	17-18	41	24	69	50	176
	FUs 1 X 7/8" (28)	27- 28	52	38	83	50	200
	FUs 1 X 1.1/4" (40)	39- 40	64	55	100	50	231
	FUs 1 X 1.5/8" (52)	50- 52	76	64	109	50	248
	FUs 2 X 5,6	5,1- 6,0	33	24	69	50	176
	FUs 2 X 8	7,0- 8,0	33	24	69	50	176
	FUs 2 X 9	8,0- 9,2	41	40	85	50	209
	FUs 2 X 10	9,8- 10,5	41	40	85	50	207
	FUs 2 X 11	10,5- 11,5	41	40	85	50	202
	FUs 2 X 3/8" (14)	13,0- 14,0	41	40	85	50	197
	FUs 2 X 1/2" (17)	16,0- 17,0	41	40	85	50	195
	FUs 2 x 18,5	17-18	41	48	93	50	205
FUs 2 X 7/8" (28)	27- 28	52	76	121	50	251	
	FUs 3 X 5,6	5,1- 6,0	33	36	81	50	190
	FUs 3 X 8	7,0- 8,0	33	36	81	50	190
	FUs 3 X 9	8,0- 9,2	41	60	105	50	240
	FUs 3 X 10	9,8- 10,5	41	60	105	50	237
	FUs 3 X 11	10,5- 11,5	41	60	105	50	234
	FUs 3 X 3/8" (14)	13,0- 14,0	41	60	105	50	222
	FUs 3 X 1/2" (17)	16,0- 17,0	41	60	105	50	219