

**Double universal mount with an anvil; flat; round and angular**

**Material: Stainless steel**

**Polyamide with black glass fiber, resistant to UV radiation**

**FCUs**

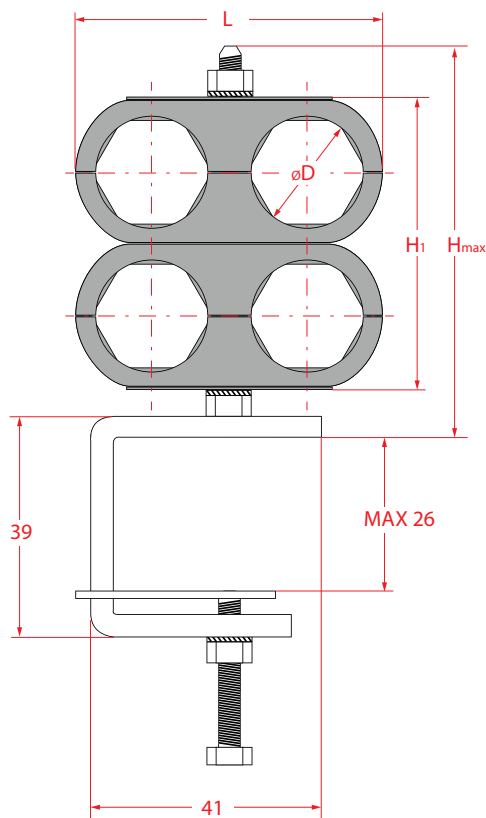


Figure	Name / code	øD	L	H1	Hmax		gram
	FCUs 2 X 5,6	5,1- 6,0	32	13	58	50	159
	FCUs 2 X 8	7,0- 8,0	32	16	61	50	162
	FCUs 2 X 9	8,0- 9,2	35	16	61	50	159
	FCUs 2 X 10	9,8- 10,5	35	16	61	50	159
	FCUs 2 X 11	10,5- 11,5	35	16	61	50	159
	FCUs 2 X 3/8" (14)	13,0- 14,0	41	19	64	50	159
	FCUs 2 X 1/2" (17)	16,0- 17,0	58	27	72	50	186
	FCUs 2 X 7/8" (28)	27,0- 28,0	80	38	83	50	204
	FCUs 4 X 5,6	5,1- 6,0	32	26	71	50	172
	FCUs 4 X 8	7,0- 8,0	32	32	77	50	178
	FCUs 4 X 9	8,0- 9,2	35	32	77	50	178
	FCUs 4 X 10	9,8- 10,5	35	32	77	50	178
	FCUs 2 X 11	10,5- 11,5	35	32	77	50	178
	FCUs 4 X 3/8" (14)	13,0- 14,0	41	38	83	50	228
	FCUs 4 X 1/2" (17)	16,0- 17,0	58	54	99	50	225
	FCUs 4 X 7/8" (28)	27,0- 28,0	80	76	121	25/50	262
	FCUs 6 X 5,6	5,1- 6,0	32	39	84	50	185
	FCUs 6 X 8	7,0- 8,0	32	48	93	50	194
	FCUs 6 X 9	8,0- 9,2	35	48	93	50	194
	FCUs 6 X 10	9,8- 10,5	35	48	93	50	194
	FCUs 6 X 11	10,5- 11,5	35	48	93	50	194
	FCUs 6 X 3/8" (14)	13,0- 14,0	41	57	102	50	269
	FCUs 6 X 1/2" (17)	16,0- 17,0	58	81	126	50	264