

### Cable clamps mounts for flat bars, pipes 3-25 mm

**Material: Stainless steel**

**Polyamide with black glass fiber, resistant to UV radiation**

# FCMs

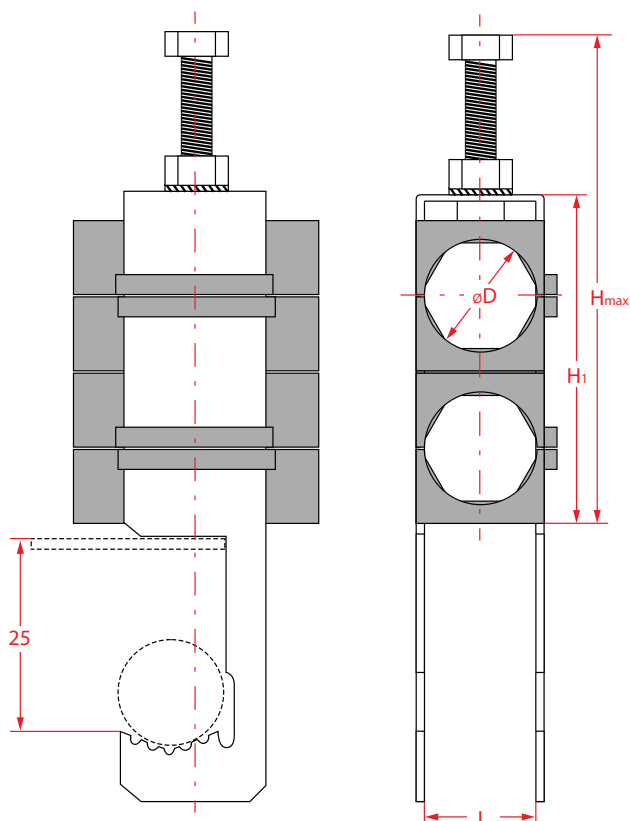


Figure	Name / code	øD	L	H <sub>1</sub>	H <sub>max</sub>		gram
	FCMs 1 X 5	5,2- 6,2	13	23	68	50/100/200	48
	FCMs 1 X 8	7,5- 8,5	13	23	68	50/100/200	47
	FCMs 1 X 10	9,5- 10,5	13	23	68	50/100/200	45
	FCMs 1 X 11	10,5- 11,5	13	23	68	50/100/200	44
	FCMs 2 X 5	5,2- 6,2	13	41	86	50/100	60
	FCMs 2 X 8	7,5- 8,5	13	41	86	50/100	58
	FCMs 2 X 10	9,5- 10,5	13	41	86	50/100	54
	FCMs 2 X 11	10,5- 11,5	13	41	86	50/100	53
	FCMs 3 X 5	5,2- 6,2	13	59	104	50/100	72
	FCMs 3 X 8	7,5- 8,5	13	59	104	50/100	69
	FCMs 3 X 10	9,5- 10,5	13	59	104	50/100	63
	FCMs 3 X 11	10,5- 11,5	13	59	104	50/100	60
	FCMs 4 X 5	5,2- 6,2	13	77	122	50	84
	FCMs 4 X 8	7,5- 8,5	13	77	122	50	80
	FCMs 4 X 10	9,5- 10,5	13	77	122	50	72
	FCMs 4 X 11	10,5- 11,5	13	77	122	50	69

FCA4 FCA4S FCA5 FCA5S FCB FCB20 FCB20S FCC FCCS FCE FCEs FCM FCMs FCU FCUs FU FUs CU FBUs KU KUs FFB FFS105 / FFS200 PC10-40