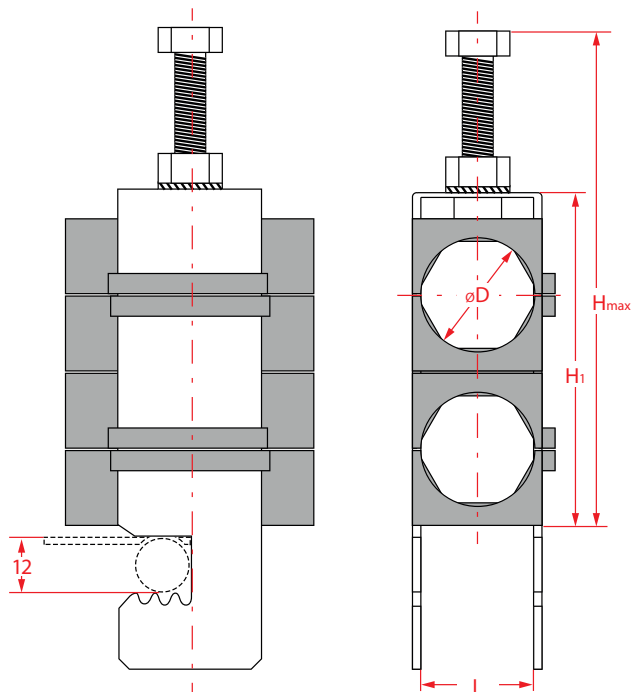


Cable clamps mounts for flat bars 3-12 mm

Material: Stainless steel

Polyamide with black glass fiber, resistant to UV radiation

FCBs



Compatible with FFS105 and FFS200.

Figure	Name / code	øD	L	H1	Hmax		gram
	FCBs 1 X 5	5,2- 6,2	13	23	53	50/100/200	55
	FCBs 1 X 8	7,5- 8,5	13	23	53	50/100/200	55
	FCBs 1 X 10	9,5- 10,5	13	23	53	50/100/200	55
	FCBs 1 X 11	10,5- 11,5	13	23	53	50/100/200	55
	FCBs 2 X 5	5,2- 6,2	13	41	71	50/100	73
	FCBs 2 X 8	7,5- 8,5	13	41	71	50/100	73
	FCBs 2 X 10	9,5- 10,5	13	41	71	50/100	73
	FCBs 2 X 11	10,5- 11,5	13	41	71	50/100	73
	FCBs 3 X 5	5,2- 6,2	13	59	89	50/100	91
	FCBs 3 X 8	7,5- 8,5	13	59	89	50/100	91
	FCBs 3 X 10	9,5- 10,5	13	59	89	50/100	91
	FCBs 3 X 11	10,5- 11,5	13	59	89	50/100	91
	FCBs 4 X 5	5,2- 6,2	13	77	107	50	109
	FCBs 4 X 8	7,5- 8,5	13	77	107	50	109
	FCBs 4 X 10	9,5- 10,5	13	77	107	50	109
	FCBs 4 X 11	10,5- 11,5	13	77	107	50	109