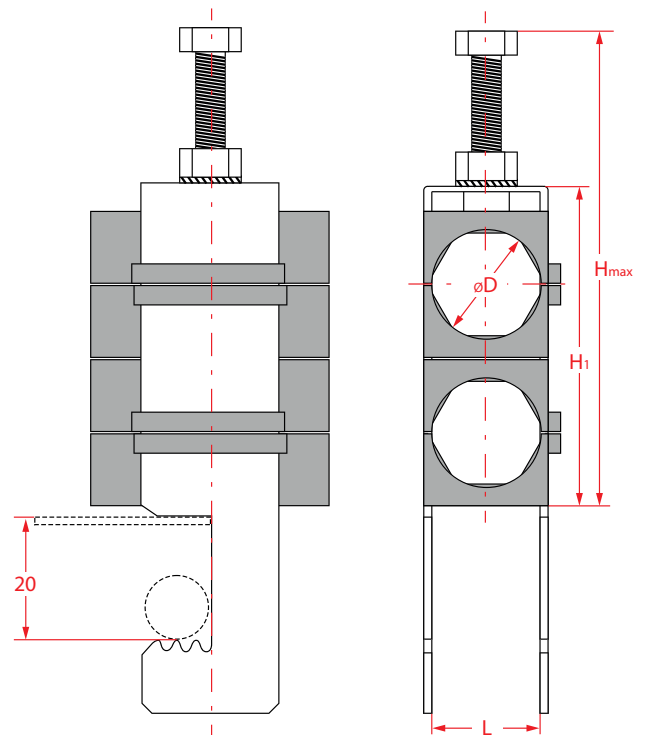


Cable mounts for flat bars 3-20 mm ; VIBE

Material: Stainless steel

Polyamide with black glass fiber, resistant to UV radiation

FCB20s



Compatible with FFS105 and FFS200.

Figure	Name / code	øD	L	H ₁	H _{max}		gram
	FCB20s 1 X 5	5,2- 6,2	13	23	58	50/100/200	44
	FCB20s 1 X 8	7,5- 8,5	13	23	58	50/100/200	43
	FCB20s 1 X 10	9,5- 10,5	13	23	58	50/100/200	41
	FCB20s 1 X 11	10,5- 11,5	13	23	58	50/100/200	40
	FCB20s 2 X 5	5,2- 6,2	13	41	76	50/100	56
	FCB20s 2 X 8	7,5- 8,5	13	41	76	50/100	54
	FCB20s 2 X 10	9,5- 10,5	13	41	76	50/100	50
	FCB20s 2 X 11	10,5- 11,5	13	41	76	50/100	49
	FCB20s 3 X 5	5,2- 6,2	13	59	94	50/100	68
	FCB20s 3 X 8	7,5- 8,5	13	59	94	50/100	65
	FCB20s 3 X 10	9,5- 10,5	13	59	94	50/100	59
	FCB20s 3 X 11	10,5- 11,5	13	59	94	50/100	56
	FCB20s 4 X 5	5,2- 6,2	13	77	112	50	80
	FCB20s 4 X 8	7,5- 8,5	13	77	112	50	76
	FCB20s 4 X 10	9,5- 10,5	13	77	112	50	68
	FCB20s 4 X 11	10,5- 11,5	13	77	112	50	65