

### Cable clamps mounts for angles 40 mm

Material: Stainless steel

Polyamide with black glass fiber, resistant to UV radiation

# FCA4s

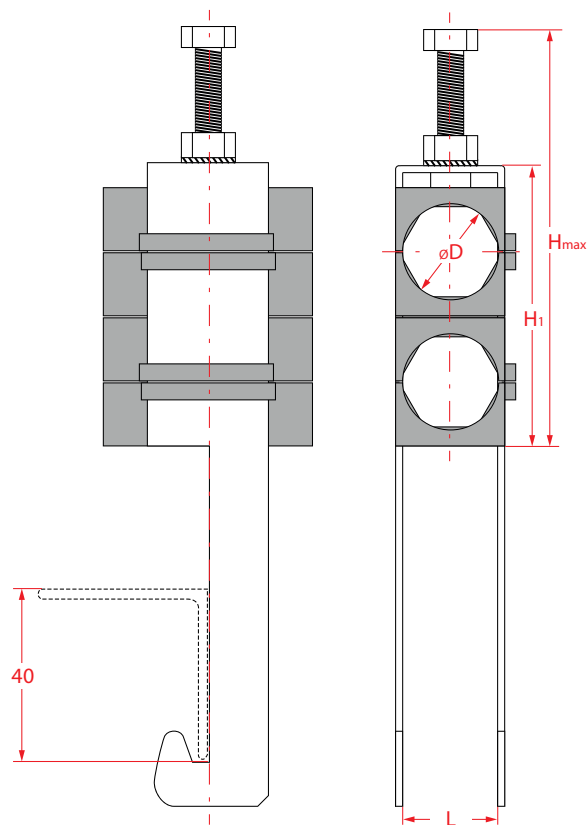


Figure	Name / code	øD	L	H1	Hmax		gram
	FCA4s 1 X 5	5,2- 6,2	13	23	68	50/100/200	48
	FCA4s 1 X 8	7,5- 8,5	13	23	68	50/100/200	47
	FCA4s 1 X 10	9,5- 10,5	13	23	68	50/100/200	45
	FCA4s 1 X 11	10,5- 11,5	13	23	68	50/100/200	44
	FCA4s 2 X 5	5,2- 6,2	13	41	86	50/100	60
	FCA4s 2 X 8	7,5- 8,5	13	41	86	50/100	58
	FCA4s 2 X 10	9,5- 10,5	13	41	86	50/100	54
	FCA4s 2 X 11	10,5- 11,5	13	41	86	50/100	53
	FCA4s 3 X 5	5,2- 6,2	13	59	104	50/100	72
	FCA4s 3 X 8	7,5- 8,5	13	59	104	50/100	69
	FCA4s 3 X 10	9,5- 10,5	13	59	104	50/100	63
	FCA4s 3 X 11	10,5- 11,5	13	59	104	50/100	60
	FCA4s 4 X 5	5,2- 6,2	13	77	122	50	84
	FCA4s 4 X 8	7,5- 8,5	13	77	122	50	80
	FCA4s 4 X 10	9,5- 10,5	13	77	122	50	72
	FCA4s 4 X 11	10,5- 11,5	13	77	122	50	69

FCA4  
FCA4s  
FCA5  
FCB  
FCB20  
FCC  
FCE  
FCES  
FCM  
FCMS  
FCU  
FCUS  
FU  
FUS  
CU  
FBU  
KU  
KUS  
FFB  
FFS105/FFS200  
PC10-40