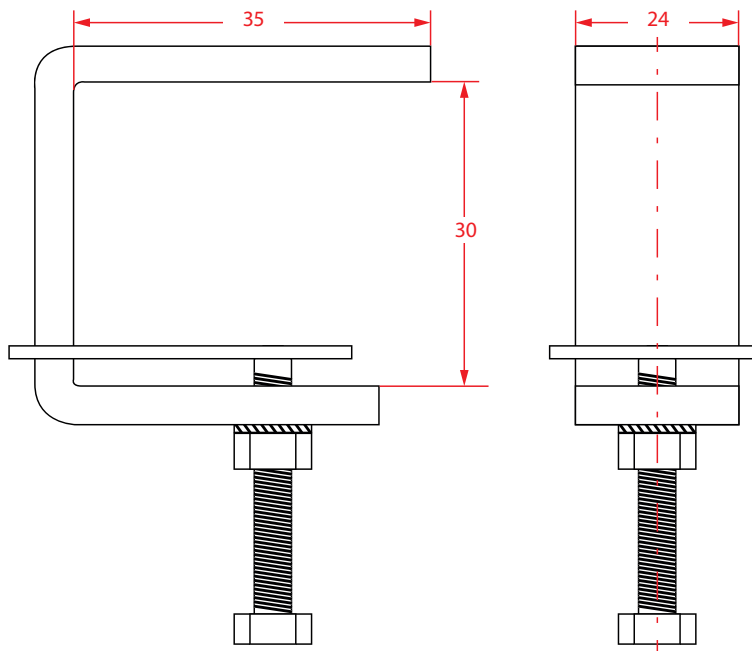


Universal clamp with an anvil; flat; round and angular

Material: Stainless steel



Compatible with CU; FBU; FFB.

Name / code		gram
KUs	50/100	109