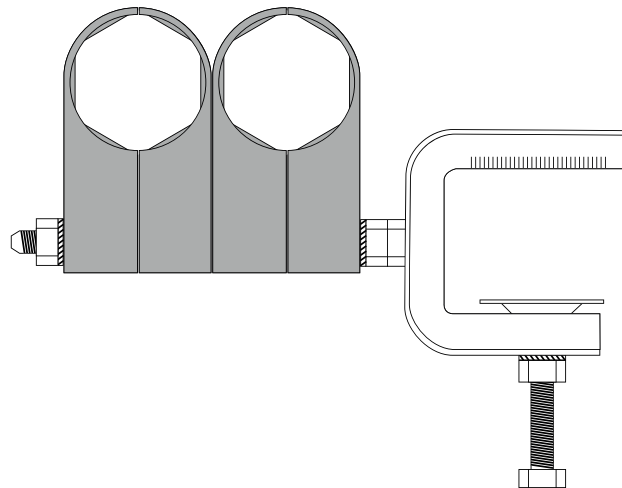
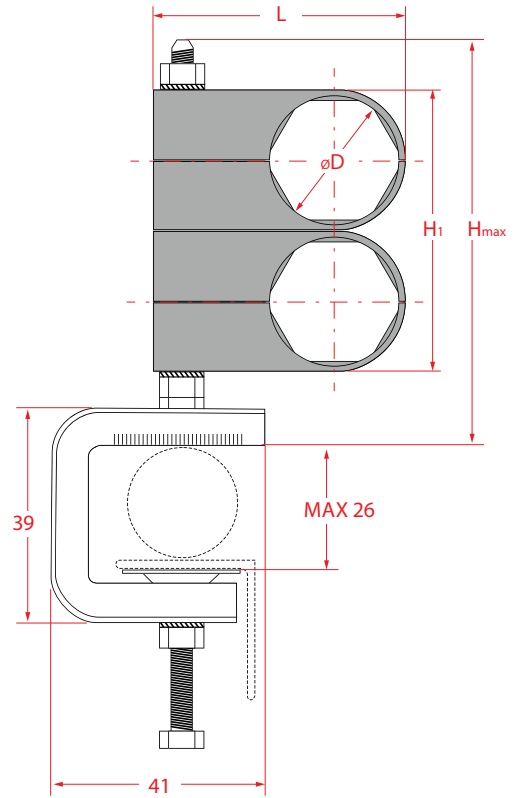


Cable clamps universal mount with an anvil; flat; round and angular

Material: Stainless steel

Polyamide with black glass fiber, resistant to UV radiation

FU



...and more other solution for request.

Figure	Name / code	øD	L	H ₁	H _{max}		gram
	FU 1 X 5,6	5,1- 6,0	33	12	57	50	185
	FU 1 X 8	7,0- 8,0	33	12	57	50	185
	FU 1 X 9	8,0- 9,2	41	20	65	50	200
	FU 1 X 10	9,8- 10,5	41	20	65	50	199
	FU 1 X 11	10,5- 11,5	41	20	65	50	198
	FU 1 X 3/8" (14)	13,0- 14,0	41	20	65	50	194
	FU 1 X 1/2" (17)	16,0- 17,0	41	20	65	50	193
	FU 1 x 18,5	17-18	41	24	69	50	199
	FU 1 X 7/8" (28)	27- 28	52	38	83	50	223
	FU 1 X 1.1/4" (40)	39- 40	64	55	100	50	254
	FU 1 X 1.5/8" (52)	50- 52	76	64	109	50	271
	FU 2 X 5,6	5,1- 6,0	33	24	69	50	199
	FU 2 X 8	7,0- 8,0	33	24	69	50	199
	FU 2 X 9	8,0- 9,2	41	40	85	50	232
	FU 2 X 10	9,8- 10,5	41	40	85	50	230
	FU 2 X 11	10,5- 11,5	41	40	85	50	228
	FU 2 X 3/8" (14)	13,0- 14,0	41	40	85	50	220
	FU 2 X 1/2" (17)	16,0- 17,0	41	40	85	50	218
	FU 2 x 18,5	17-18	41	48	93	50	228
	FU 2 X 7/8" (28)	27- 28	52	76	121	50	274
	FU 2 X 1.1/4" (40)	39- 40	64	110	155	50	339
	FU 2 X 1.5/8" (52)	50- 52	76	128	173	50	373
	FU 3 X 5,6	5,1- 6,0	33	36	81	50	213
	FU 3 X 8	7,0- 8,0	33	36	81	50	213
	FU 3 X 9	8,0- 9,2	41	60	105	50	263
	FU 3 X 10	9,8- 10,5	41	60	105	50	260
	FU 3 X 11	10,5- 11,5	41	60	105	50	257
	FU 3 X 3/8" (14)	13,0- 14,0	41	60	105	50	245
	FU 3 X 1/2" (17)	16,0- 17,0	41	60	105	50	242
	FU 3 x 18,5	17-18	41	72	117	50	258
	FU 3 X 7/8" (28)	27- 28	52	114	159	25/50	331
	FU 3 X 1.1/4" (40)	39- 40	64	165	210	25	424
	FU 3 X 1.5/8" (52)	50- 52	76	192	237	25	247
	FU 4 X 5,6	5,1- 6,0	33	48	93	50	228
	FU 4 X 8	7,0- 8,0	33	48	93	50	228
	FU 4 X 9	8,0- 9,2	41	80	125	50	294
	FU 4 X 10	9,8- 10,5	41	80	125	50	290
	FU 4 X 11	10,5- 11,5	41	80	125	50	286
	FU 4 X 3/8" (14)	13,0- 14,0	41	80	125	50	270
	FU 4 X 1/2" (17)	16,0- 17,0	41	80	125	50	266
	FU 4 x 18,5	17-18	41	96	141	25	287
	FU 4 X 7/8" (28)	27- 28	52	152	197	25	384
	FU 4 X 1.1/4" (40)	39- 40	64	220	265	25	509
	FU 4 X 1.5/8" (52)	50- 52	76	256	301	20/25	577