

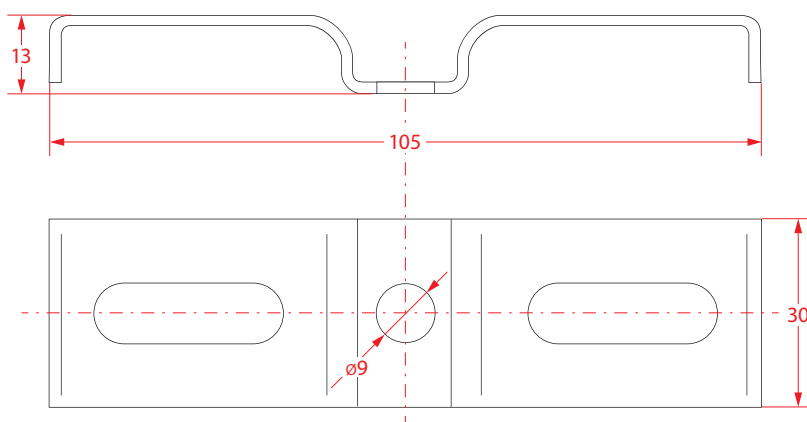
## Stirrup

Material: Stainless steel

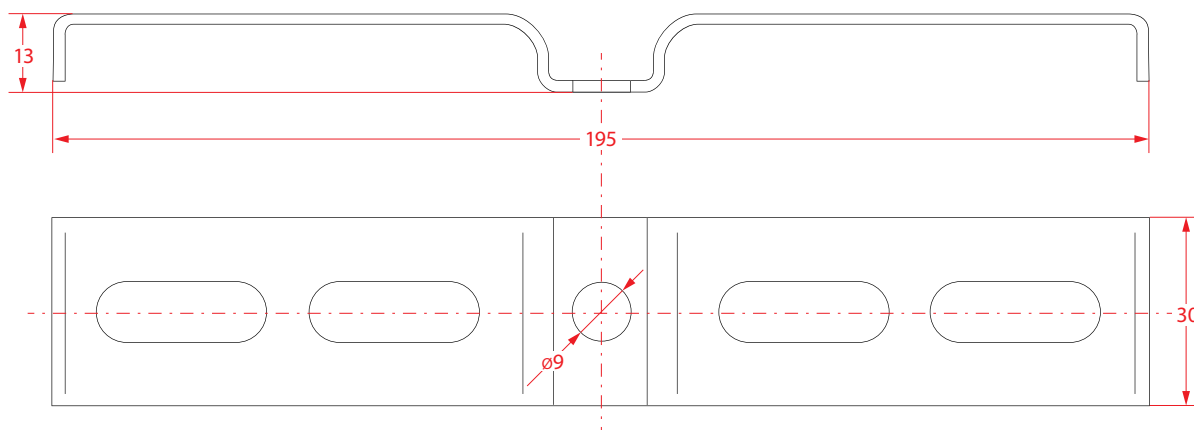
# FFS105 / FFS200



FFS105



FFS200



Montage for KU, KUs, FFB. Compatible with FCB, FCBs.

Name / code	50/100/200	gram
FFS 105	50/100/200	80
FFS 200	50/100/200	135