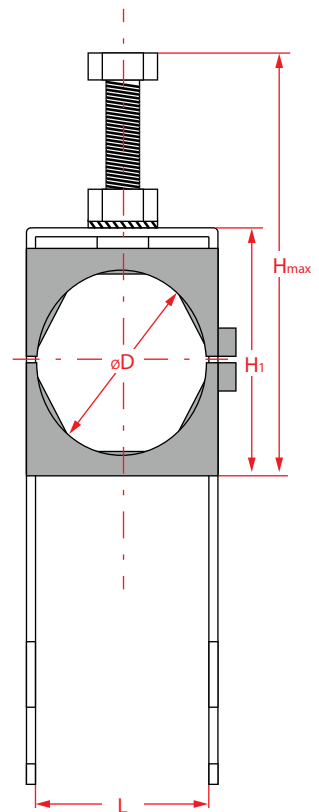
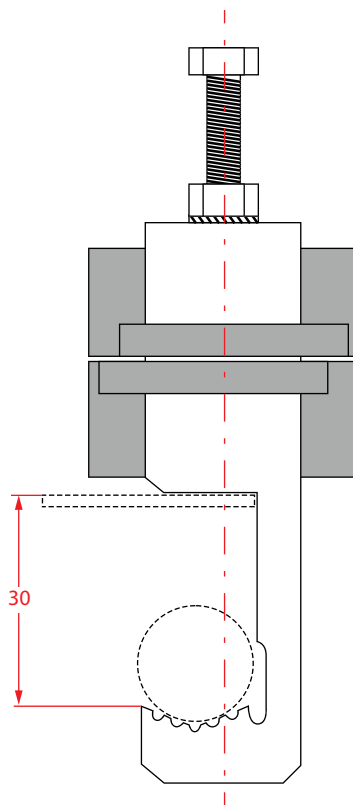


Cable clamps mounts for flat bars, pipes 3-30 mm

Material: Stainless steel

Polyamide with black glass fiber, resistant to UV radiation

FCM

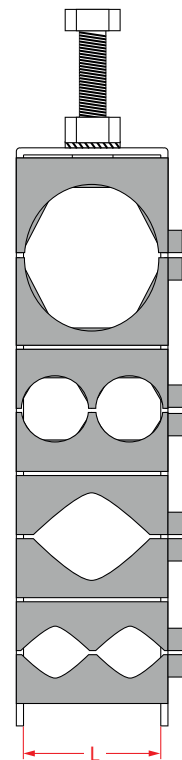
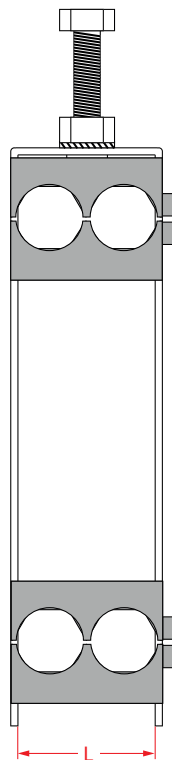
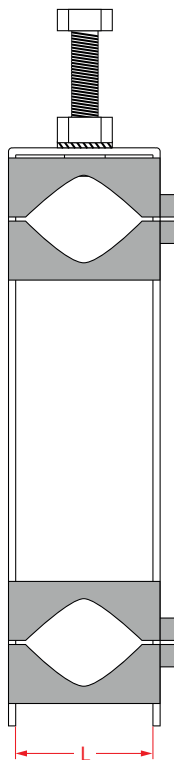
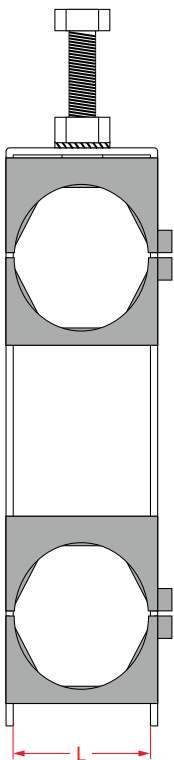


STANDARD

TRIANGLE

2 ROADS

COMBINATION



...and more other solution for request.

Figure	Name / code	øD	L	H ₁	H _{max}		gram
	FCM 1 X 4,2	4,2- 5,0	22	18	63	50/100/200	47
	FCM 1 X 5	5,2- 6,2	22	18	63	50/100/200	47
	FCM 1 X 6	5,5- 6,5	22	18	63	50/100/200	47
	FCM 1 X 6,5	6,5- 7,5	22	18	63	50/100/200	47
	FCM 1 X 8	7,5- 8,5	22	18	63	50/100/200	47
	FCM 1 X 9	8,5- 9,5	22	22	67	50/100	46
	FCM 1 X 10	9,5- 10,5	22	22	67	50/100	55
	FCM 1 X 11	10,5- 11,5	22	22	67	50/100	55
	FCM 1 X 3/8" (14)	13- 14	22	23	68	50/100	55
	FCM 1 X 1/2" (17)	16- 17	22	30	75	50/100	53
	FCM 1 X 18,5	18- 19	32	32	77	50	84
	FCM 2 X 19,5	19- 20	32	32	77	50	82
	FCM 1 X 24	24,5- 25,5	32	44	90	50	104
	FCM 1 X 7/8" (28)	27- 28	32	44	90	50	98
	FCM 1 X 1.1/4" (40)	39- 40	46	57	117	25	154
FCM 1 X 1.5/8" (52)	50- 52	56	68	128	25	175	
	FCM 2 X 4,2	4,2- 5,0	22	30	75	50/100	63
	FCM 2 X 5	5,2- 6,2	22	30	75	50/100	63
	FCM 2 X 6	5,5- 6,5	22	30	75	50/100	63
	FCM 2 X 6,5	6,5- 7,5	22	30	75	50/100	63
	FCM 2 X 8	7,5- 8,5	22	30	75	50/100	61
	FCM 2 X 9	8,5- 9,5	22	38	83	50/100	76
	FCM 2 X 10	9,5- 10,5	22	38	83	50/100	76
	FCM 2 X 11	10,5- 11,5	22	38	83	50/100	76
	FCM 2 X 3/8" (14)	13- 14	22	40	85	50/100	71
	FCM 2 X 1/2" (17)	16- 17	22	54	99	50/100	71
	FCM 2 X 18,5	18- 19	32	57	102	50	121
	FCM 2 X 19,5	19- 20	32	57	102	50	118
	FCM 2 X 24	24,5- 25,5	32	81	126	50	148
	FCM 2 X 7/8" (28)	27- 28	32	81	126	50	136
	FCM 2 X 1.1/4" (40)	39- 40	46	106	166	25	220
FCM 2 X 1.5/8" (52)	50- 52	56	128	188	25	259	
	FCM 3 X 4,2	4,2- 5,0	22	42	87	50/100	79
	FCM 3 X 5	5,2- 6,2	22	42	87	50/100	79
	FCM 3 X 6	5,5- 6,5	22	42	87	50/100	79
	FCM 3 X 6,5	6,5- 7,5	22	42	87	50/100	79
	FCM 3 X 8	7,5- 8,5	22	42	87	50/100	79
	FCM 3 X 9	8,5- 9,5	22	54	99	50	97
	FCM 3 X 10	9,5- 10,5	22	54	99	50	97
	FCM 3 X 11	10,5- 11,5	22	54	99	50	97
	FCM 3 X 3/8" (14)	13- 14	22	57	102	50	90
	FCM 3 X 1/2" (17)	16- 17	22	78	123	50	106
	FCM 3 X 18,5	18- 19	32	82	127	50	158
	FCM 3 X 19,5	19- 20	32	82	127	50	154
	FCM 3 X 24	24,5- 25,5	32	118	163	50	192
	FCM 3 X 7/8" (28)	27- 28	32	118	163	50	174
	FCM 3 X 1.1/4" (40)	39- 40	46	155	215	25	286
FCM 3 X 1.5/8" (52)	50- 52	56	188	248	25	343	
	FCM 4 X 4,2	4,2- 5,0	22	54	99	50	95
	FCM 4 X 5	5,2- 6,2	22	54	99	50	95
	FCM 4 X 6	5,5- 6,5	22	54	99	50	95
	FCM 4 X 6,5	6,5- 7,5	22	54	99	50	95
	FCM 4 X 8	7,5- 8,5	22	54	99	50	95
	FCM 4 X 9	8,5- 9,5	22	70	115	50	118
	FCM 4 X 10	9,5- 10,5	22	70	115	50	118
	FCM 4 X 11	10,5- 11,5	22	70	115	50	118
	FCM 4 X 3/8" (14)	13- 14	22	74	119	50	108
	FCM 4 X 1/2" (17)	16- 17	22	102	147	50	130
	FCM 4 X 18,5	18- 19	32	107	152	25	200
	FCM 4 X 19,5	19- 20	32	107	152	25	199
	FCM 4 X 24	24,5- 25,5	32	155	200	25	261
	FCM 4 X 7/8" (28)	27- 28	32	155	200	25	237
	FCM 4 X 1.1/4" (40)	39- 40	46	204	269	25	352
FCM 4 X 1.5/8" (52)	50- 52	56	248	313	25	427	

FCM45 FCA45 FCA5 FCA55 FCB FCA55 FCB FCB20 FCB20s FCC FCCs FCCs FCE FCEs FCM FCMs FCUs FCUs FU FUs CU FBUs KUs KUs FFB FFS200 FFS105/ FFS200

2 ROADS

Figure	Name / code	øD	L	H ₁	H _{max}		gram
	FCM 2 X 5/22	5,0- 6,0	22	17	62	50/100/200	53
	FCM 2 X 6/22	5,6- 6,5	22	20	75	50/100/200	53
	FCM 2 X 6,5/22	6,5- 7,3	22	20	75	50/100/200	53
	FCM 2 X 8/22	8,0- 9,0	22	20	75	50/100/200	53
	FCM 2 X 10	10,0- 11,0	32	23	78	50/100	74
	FCM 2 X 11	10,0- 11,0	32	23	78	50/100	74
	FCM 4 X 5/22	5,0- 6,0	22	28	73	50/100	72
	FCM 4 X 6/22	5,6- 6,5	22	34	79	50/100	72
	FCM 4 X 6,5/22	6,5- 7,3	22	34	79	50/100	72
	FCM 4 X 8/22	8,0- 9,0	22	34	79	50/100	72
	FCM 4 X 10	10,0- 11,0	32	40	85	50	99
	FCM 4 X 11	10,0- 11,0	32	40	85	50	99
	FCM 6 X 5/22	5,0- 6,0	22	39	84	50	90
	FCM 6 X 6/22	5,6- 6,5	22	48	93	50	90
	FCM 6 X 6,5/22	6,5- 7,3	22	48	93	50	90
	FCM 6 X 8/22	8,0- 9,0	22	48	93	50	90
	FCM 6 X 10	10,0- 11,0	32	57	122	50	106
	FCM 6 X 11	10,0- 11,0	32	57	122	50	106

TRIANGLE

Figure	Name / code	øD	L	H ₁	H _{max}		gram
	FCM 1 X 4-8	4,0- 8,0	22	26	71	50/100	58
	FCM 1 X 9-16	9,0- 16,0	22	34	79	50/100	60
	FCM 1 X 12-22	12,0- 22,0	22	41	86	50/100	64
	FCM 1 X 14-22	14,0- 22,0	32	51	96	50	97
	FCM 1 X 18-24	18,0- 24,0	32	53	98	50	112
	FCM 1 X 26-32	26,0- 32,0	32	62	107	50	118
	FCM 2 X 4-8	4,0- 8,0	22	43	118	50/100	74
	FCM 2 X 9-16	9,0- 16,0	22	60	135	50/100	81
	FCM 2 X 12-22	12,0- 22,0	22	74	149	50	92
	FCM 2 X 14-22	14,0- 22,0	32	93	168	50	155
	FCM 2 X 18-24	18,0- 24,0	32	97	172	50	182
	FCM 2 X 26-32	26,0- 32,0	32	115	190	50	191
	FCM 2 X 14-22 + 26-32	14,00-22,00 26,00- 32,00	32	105	165	50	205
	FCM 3 X 4-8	4,0- 8,0	22	59	119	50	90
	FCM 3 X 9-16	9,0- 16,0	22	84	144	50	100
	FCM 3 X 12-22	12,0- 22,0	22	105	165	50	117
	FCM 3 X 14-22	14,0- 22,0	32	135	195	50	241
	FCM 3 X 18-24	18,0- 24,0	32	141	201	50	247
	FCM 3 X 26-32	26,0- 32,0	32	163	228	50	262
	FCM 2 X 8-14	8,0- 14,0	32	36	111	50	79
	FCM 4 X 8-14	8,0- 14,0	32	63	123	50	119
	FCM 6 X 8-14	8,0- 14,0	32	90	150	50	157

OTHER COMBINATIONS

Figure	Name / code	øD	L	H ₁	H _{max}		gram
	FCM 3 X 18-24 + 2 X 8-12	3 X 18-24 2 X 8-12	32	168	228	50	284
	FCM 2 X 18-24 + 2 X 8-12	2 X 18-24 2 X 8-12	32	124	184	50	217
	FCM 18-24 + 2 X 8-12	1 X 18-24 2 X 8-12	32	80	155	50	150
	FCM 14-32 + 2 X 8-14	14-32 2 X 8-14	32	90	150	50	154
	FCM 3 X 12-22 + 2 X 6,5/22	3 X 12-22 2 X 6,5/22	22	120	180	50	133
	FCM 3 X 12-22 + 4 X 6,5/22	3 X 12-22 4 X 6,5/22	22	134	194	50	185
	FCM 3 X 12-22 + 6 X 6,5/22	3 X 12-22 6 X 6,5/22	22	147	207	50	201
	FCM 3 X 12-22 + 6 X 5/22	3 X 12-22 6 X 5/22	22	140	207	50	192
	FCM 12-22 + 6 X 5/22	12-22 6 X 5/22	22	74	134	50	106
	FCM 3 X 12-22 + 6,5	3 X 12-22 6,5	22	119	179	50	132
	FCM 12-22 + 2 X 5/22	12-22 2 X 5/22	22	52	112	50	78
	FCM 12-22 + 4 X 5/22	12-22 4 X 5/22	22	63	123	50	89
	FCM 12-22 + 2 X 6,5/22	12-22 2 X 6,5/22	22	55	115	50	80
	FCM 12-22 + 4 X 6,5/22	12-22 4 X 6,5/22	22	68	128	50	95
	FCM 12-22 + 6,5	12-22 6,5	22	53	113	50	75
	FCM 9-16 + 6,5	9-16 6,5	22	46	106	50	70
	FCM 4,2 + 9-16	4,2 9-16	22	46	121	50	73
	FCM 3 X 4,2 + 4,2 + 9-16	4,2 4,2 9-16	22	58	133	50	89
	FCM 14-32 + 2 X 10	14-32 2 X 10	32	80	155	50	148

FCA4 FCA4S FCA5 FCA5S FCB FCBs FCB20 FCB20s FCC FCCs FCE FCEs FCM FCMs FCUs FCUs FUS CU FBUs KU KUs FFB FFS200 FFS105/ FFS200 PC10-40