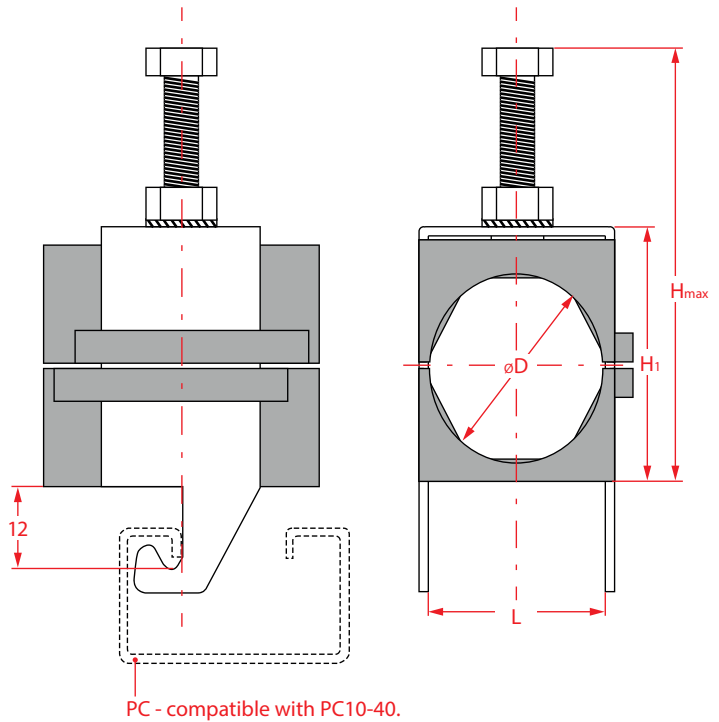


Cable mounts for flat bars 3-20 mm; VIBE

Material: Stainless steel

Polyamide with black glass fiber, resistant to UV radiation

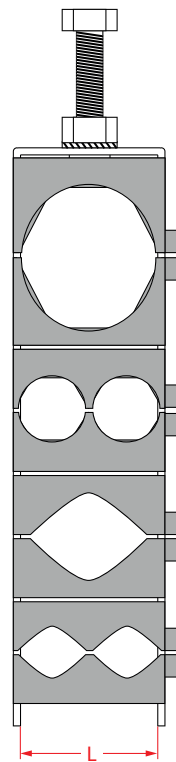
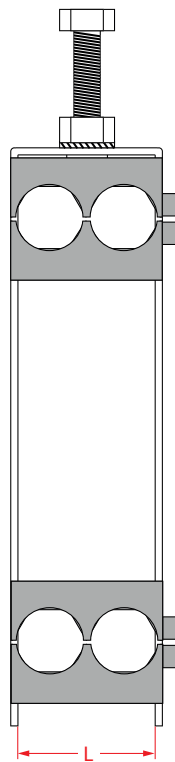
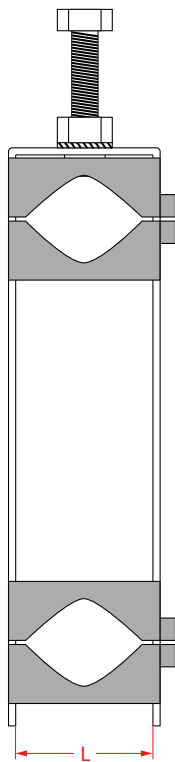
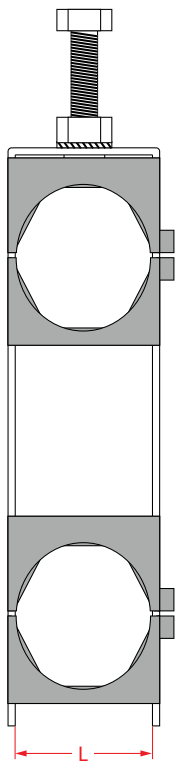


STANDARD

TRIANGLE

2 ROADS

COMBINATION



...and more other solution for request.

Figure	Name / code	øD	L	H ₁	H _{max}		gram
	FCC 1 X 4,2	4,2- 5,0	22	18	48	50/100/200	41
	FCC 1 X 5	5,2- 6,2	22	18	48	50/100/200	41
	FCC 1 X 6	5,5- 6,5	22	18	48	50/100/200	41
	FCC 1 X 6,5	6,5- 7,5	22	18	48	50/100/200	41
	FCC 1 X 8	7,5- 8,5	22	18	48	50/100/200	41
	FCC 1 X 9	8,5- 9,5	22	22	52	50/100/200	49
	FCC 1 X 10	9,5- 10,5	22	22	52	50/100/200	49
	FCC 1 X 11	10,5- 11,5	22	22	52	50/100/200	49
	FCC 1 X 3/8" (14)	13- 14	22	23	52	50/100/200	47
	FCC 1 X 1/2" (17)	16- 17	22	30	52	50/100	52
	FCC 1 X 18,5	18- 19	32	32	52	50	76
	FCC 2 X 19,5	19- 20	32	32	52	50	74
	FCC 1 X 24	24,5- 25,5	32	44	52	50	96
	FCC 1 X 7/8" (28)	27- 28	32	44	52	50	90
	FCC 1 X 1.1/4" (40)	39- 40	46	57	52	25/50	144
FCC 1 X 1.5/8" (52)	50- 52	56	68	52	25/50	165	
	FCC 2 X 4,2	4,2- 5,0	22	30	60	50/100	57
	FCC 2 X 5	5,2- 6,2	22	30	60	50/100	57
	FCC 2 X 6	5,5- 6,5	22	30	60	50/100	57
	FCC 2 X 6,5	6,5- 7,5	22	30	60	50/100	57
	FCC 2 X 8	7,5- 8,5	22	30	60	50/100	55
	FCC 2 X 9	8,5- 9,5	22	38	68	50/100	70
	FCC 2 X 10	9,5- 10,5	22	38	68	50/100	70
	FCC 2 X 11	10,5- 11,5	22	38	68	50/100	70
	FCC 2 X 3/8" (14)	13- 14	22	40	70	50/100	65
	FCC 2 X 1/2" (17)	16- 17	22	54	84	50/100	76
	FCC 2 X 18,5	18- 19	32	57	87	50	113
	FCC 2 X 19,5	19- 20	32	57	87	50	110
	FCC 2 X 24	24,5- 25,5	32	81	111	50	140
	FCC 2 X 7/8" (28)	27- 28	32	81	111	50	128
	FCC 2 X 1.1/4" (40)	39- 40	46	106	146	25/50	210
FCC 2 X 1.5/8" (52)	50- 52	56	128	468	25/50	249	
	FCC 3 X 4,2	4,2- 5,0	22	42	72	50/100	73
	FCC 3 X 5	5,2- 6,2	22	42	72	50/100	73
	FCC 3 X 6	5,5- 6,5	22	42	72	50/100	73
	FCC 3 X 6,5	6,5- 7,5	22	42	72	50/100	73
	FCC 3 X 8	7,5- 8,5	22	42	72	50/100	71
	FCC 3 X 9	8,5- 9,5	22	54	84	50/100	91
	FCC 3 X 10	9,5- 10,5	22	54	84	50/100	91
	FCC 3 X 11	10,5- 11,5	22	54	84	50/100	91
	FCC 3 X 3/8" (14)	13- 14	22	57	87	50/100	84
	FCC 3 X 1/2" (17)	16- 17	22	78	108	50	100
	FCC 3 X 18,5	18- 19	32	82	112	50	150
	FCC 3 X 19,5	19- 20	32	82	122	50	150
	FCC 3 X 24	24,5- 25,5	32	118	148	50	184
	FCC 3 X 7/8" (28)	27- 28	32	118	148	50	166
	FCC 3 X 1.1/4" (40)	39- 40	46	155	195	25	276
FCC 3 X 1.5/8" (52)	50- 52	56	188	228	25	333	
	FCC 4 X 4,2	4,2- 5,0	22	54	84	50	89
	FCC 4 X 5	5,2- 6,2	22	54	84	50	89
	FCC 4 X 6	5,5- 6,5	22	54	84	50	89
	FCC 4 X 6,5	6,5- 7,5	22	54	84	50	89
	FCC 4 X 8	7,5- 8,5	22	54	84	50	86
	FCC 4 X 9	8,5- 9,5	22	70	100	50	112
	FCC 4 X 10	9,5- 10,5	22	70	100	50	112
	FCC 4 X 11	10,5- 11,5	22	70	100	50	122
	FCC 4 X 3/8" (14)	13- 14	22	74	104	50	102
	FCC 4 X 1/2" (17)	16- 17	22	102	132	50	124
	FCC 4 X 18,5	18- 19	32	107	137	25	192
	FCC 4 X 19,5	19- 20	32	107	137	25	191
	FCC 4 X 24	24,5- 25,5	32	155	185	25	253
	FCC 4 X 7/8" (28)	27- 28	32	155	185	25	229
	FCC 4 X 1.1/4" (40)	39- 40	46	204	244	25	342
FCC 4 X 1.5/8" (52)	50- 52	56	248	288	25	417	

FCA4 FCA4S FCA5 FCA5S FCB FCA5S FCB FCB20 FCB20S FCC FCC FCCS FCE FCE FCEs FCM FCMs FCU FCUs FU FUs CU FBU KUs KUs FFB FFS200 FFS105/

2 ROADS

Figure	Name / code	øD	L	H ₁	H _{max}		gram
	FCC 2 X 5/22	5,0- 6,0	22	17	47	50/100/200	47
	FCC 2 X 6/22	5,6- 6,5	22	20	50	50/100/200	47
	FCC 2 X 6,5/22	6,5- 7,3	22	20	50	50/100/200	47
	FCC 2 X 8/22	8,0- 9,0	22	20	50	50/100/200	47
	FCC 2 X 10	10,0- 11,0	32	23	52	50/100	68
	FCC 2 X 11	10,0- 11,0	32	23	52	50/100	68
	FCC 4 X 5/22	5,0- 6,0	22	28	58	50/100	66
	FCC 4 X 6/22	5,6- 6,5	22	34	64	50/100	66
	FCC 4 X 6,5/22	6,5- 7,3	22	34	64	50/100	66
	FCC 4 X 8/22	8,0- 9,0	22	34	64	50/100	66
	FCC 4 X 10	10,0- 11,0	32	40	70	50	93
	FCC 4 X 11	10,0- 11,0	32	40	70	50	93
	FCC 6 X 5/22	5,0- 6,0	22	39	69	50/100	84
	FCC 6 X 6/22	5,6- 6,5	22	48	78	50/100	84
	FCC 6 X 6,5/22	6,5- 7,3	22	48	78	50/100	84
	FCC 6 X 8/22	8,0- 9,0	22	48	78	50/100	84
	FCC 6 X 10	10,0- 11,0	32	57	107	50	110
	FCC 6 X 11	10,0- 11,0	32	57	107	50	110

TRIANGLE

Figure	Name / code	øD	L	H ₁	H _{max}		gram
	FCC 1 X 4-8	4,0- 8,0	22	26	71	50/100	50
	FCC 1 X 9-16	9,0- 16,0	22	34	79	50/100	52
	FCC 1 X 12-22	12,0- 22,0	22	41	86	50/100	56
	FCC 1 X 14-22	14,0- 22,0	32	51	96	50	89
	FCC 1 X 18-24	18,0- 24,0	32	53	98	50	102
	FCC 1 X 26-32	26,0- 32,0	32	62	107	50	108
	FCC 2 X 4-8	4,0- 8,0	22	43	103	50/100	68
	FCC 2 X 9-16	9,0- 16,0	22	60	120	50/100	75
	FCC 2 X 12-22	12,0- 22,0	22	74	134	50	86
	FCC 2 X 14-22	14,0- 22,0	32	93	153	50	149
	FCC 2 X 18-24	18,0- 24,0	32	97	157	50	174
	FCC 2 X 26-32	26,0- 32,0	32	115	175	50	183
	FCC 2 X 124-22 + 26-32	14,00- 22,00 26,00- 32,00	32	105	160	50	176
	FCC 3 X 4-8	4,0- 8,0	22	59	119	50/100	86
	FCC 3 X 9-16	9,0- 16,0	22	84	144	50/100	96
	FCC 3 X 12-22	12,0- 22,0	22	105	165	50	113
	FCC 3 X 14-22	14,0- 22,0	32	135	195	50	235
	FCC 3 X 18-24	18,0- 24,0	32	141	221	50	241
	FCC 3 X 26-32	26,0- 32,0	32	163	228	50	256
	FCC 2 X 8-14	8,0- 14,0	32	36	96	50	71
	FCC 4 X 8-14	8,0- 14,0	32	63	108	50	113
	FCC 6 X 8-14	8,0- 14,0	32	90	150	50	149

OTHER COMBINATIONS

Figure	Name / code	øD	L	H ₁	H _{max}		gram
	FCC 3 X 18-24 + 2 X 8-12	3 X 18-24 2 X 8-12	32	168	228	50	276
	FCC 2 X 18-24 + 2 X 8-12	2 X 18-24 2 X 8-12	32	124	184	50	209
	FCC 18-24 + 2 X 8-12	1 X 18-24 2 X 8-12	32	80	140	50	142
	FCC 14-32 + 2 X 8-14	14-32 2 X 8-14	32	90	135	50	146
	FCC 3 X 12-22 + 2 X 6,5/22	3 X 12-22 2 X 6,5/22	22	120	180	50	127
	FCC 3 X 12-22 + 4 X 6,5/22	3 X 12-22 4 X 6,5/22	22	134	194	50	177
	FCC 3 X 12-22 + 6 X 6,5/22	3 X 12-22 6 X 6,5/22	22	147	207	50	199
	FCC 3 X 12-22 + 6 X 5/22	3 X 12-22 6 X 5/22	22	140	207	50	184
	FCC 12-22 + 6 X 5/22	12-22 6 X 5/22	22	74	119	50	100
	FCC 3 X 12-22 + 6,5	3 X 12-22 6,5	22	119	179	50	126
	FCC 12-22 + 2 X 5/22	12-22 2 X 5/22	22	52	97	50	72
	FCC 12-22 + 4 X 5/22	12-22 4 X 5/22	22	63	108	50	85
	FCC 12-22 + 2 X 6,5/22	12-22 2 X 6,5/22	22	55	100	50	74
	FCC 12-22 + 4 X 6,5/22	12-22 4 X 6,5/22	22	68	113	50	91
	FCC 12-22 + 6,5	12-22 6,5	22	53	98	50	71
	FCC 9-16 + 6,5	9-16 6,5	22	46	91	50	66
	FCC 4,2 + 9-16	4,2 9-16	22	46	91	50	67
	FCC 3 X 4,2 + 4,2 + 9-16	4,2 4,2 9-16	22	58	103	50	83
	FCC 14-32 + 2 X 10	14-32 2 X 10	32	80	125	50	138

FCA4 FCA4S FCA5 FCA5S FCB FCB20 FCB20S FCC FCCS FCE FCEs FCM FCMs FCU FCUs FU FUs CU FBUs KU KUs FFB FFS200 FFS105/ FFS200