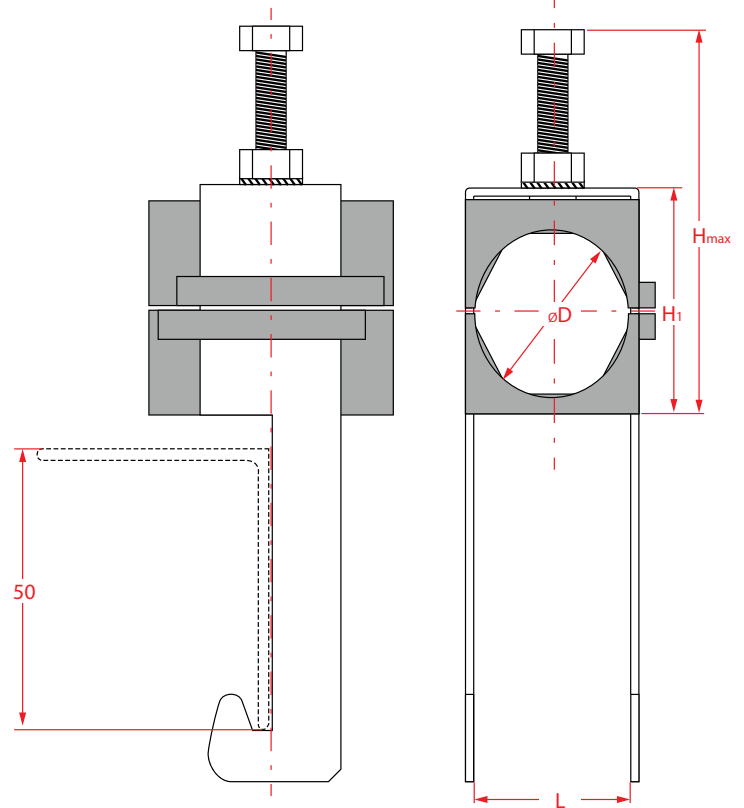


Cable clamps mounts for angles 50 mm

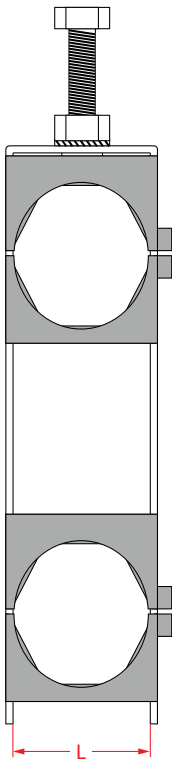
Material: Stainless steel

Polyamide with black glass fiber, resistant to UV radiation

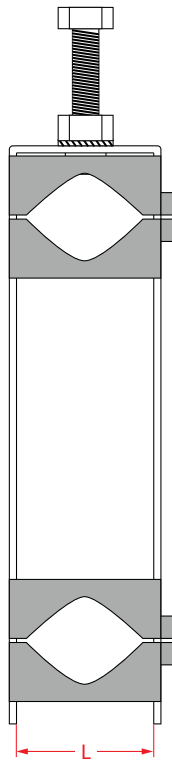
FCA5



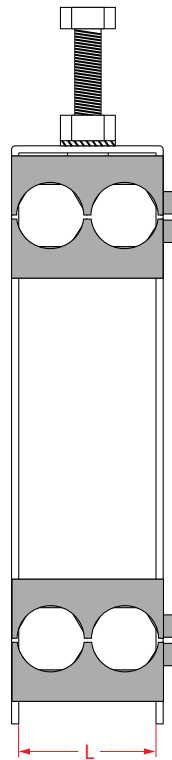
STANDARD



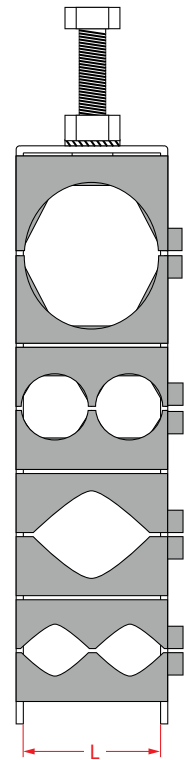
TRIANGLE



2 ROADS



COMBINATION



...and more other solution for request.

FCA4
FCA4S
FCA5
FCA5S
FCB
FCBS
FCB20
FCB20S
FCC
FCCS
FCE
FCEs
FCM
FCMS
FCU
FCUS
FU
FUS
CU
FBU
KU
KUS
FFB
FFS105 / FFS200
PC10-40

Figure	Name / code	øD	L	H1	Hmax		gram
	FCA5 1 X 4,2	4,2- 5,0	22	18	63	50/100/200	53
	FCA5 1 X 5	5,2- 6,2	22	18	63	50/100/200	53
	FCA5 1 X 6	5,5- 6,5	22	18	63	50/100/200	53
	FCA5 1 X 6,5	6,5- 7,5	22	18	63	50/100/200	53
	FCA5 1 X 8	7,5- 8,5	22	18	63	50/100/200	53
	FCA5 1 X 9	8,5- 9,5	22	22	67	50/100	52
	FCA5 1 X 10	9,5- 10,5	22	22	67	50/100	61
	FCA5 1 X 11	10,5- 11,5	22	22	67	50/100	61
	FCA5 1 X 3/8" (14)	13- 14	22	23	68	50/100	61
	FCA5 1 X 1/2" (17)	16- 17	22	30	75	50/100	59
	FCA5 1 X 18,5	18- 19	32	32	77	50	94
	FCA5 2 X 19,5	19- 20	32	32	77	50	92
	FCA5 1 X 24	24,5- 25,5	32	44	90	50	114
	FCA5 1 X 7/8" (28)	27- 28	32	44	90	50	108
	FCA5 1 X 1.1/4" (40)	39- 40	46	57	117	25	168
	FCA5 1 X 1.5/8" (52)	50- 52	56	68	128	25	189
		FCA5 2 X 4,2	4,2- 5,0	22	30	75	50/100
FCA5 2 X 5		5,2- 6,2	22	30	75	50/100	69
FCA5 2 X 6		5,5- 6,5	22	30	75	50/100	69
FCA5 2 X 6,5		6,5- 7,5	22	30	75	50/100	69
FCA5 2 X 8		7,5- 8,5	22	30	75	50/100	67
FCA5 2 X 9		8,5- 9,5	22	38	83	50/100	84
FCA5 2 X 10		9,5- 10,5	22	38	83	50/100	84
FCA5 2 X 11		10,5- 11,5	22	38	83	50/100	84
FCA5 2 X 3/8" (14)		13- 14	22	40	85	50/100	81
FCA5 2 X 1/2" (17)		16- 17	22	54	99	50/100	92
FCA5 2 X 18,5		18- 19	32	57	102	50	131
FCA5 2 X 19,5		19- 20	32	57	102	50	128
FCA5 2 X 24		24,5- 25,5	32	81	126	50	158
FCA5 2 X 7/8" (28)		27- 28	32	81	126	50	146
FCA5 2 X 1.1/4" (40)		39- 40	46	106	166	25	234
FCA5 2 X 1.5/8" (52)		50- 52	56	128	188	25	273
		FCA5 3 X 4,2	4,2- 5,0	22	42	87	50
	FCA5 3 X 5	5,2- 6,2	22	42	87	50	85
	FCA5 3 X 6	5,5- 6,5	22	42	87	50	85
	FCA5 3 X 6,5	6,5- 7,5	22	42	87	50	85
	FCA5 3 X 8	7,5- 8,5	22	42	87	50	85
	FCA5 3 X 9	8,5- 9,5	22	54	99	50	103
	FCA5 3 X 10	9,5- 10,5	22	54	99	50	103
	FCA5 3 X 11	10,5- 11,5	22	54	99	50	103
	FCA5 3 X 3/8" (14)	13- 14	22	57	102	50	96
	FCA5 3 X 1/2" (17)	16- 17	22	78	123	50	112
	FCA5 3 X 18,5	18- 19	32	82	127	50	168
	FCA5 3 X 19,5	19- 20	32	82	127	50	166
	FCA5 3 X 24	24,5- 25,5	32	118	163	25	202
	FCA5 3 X 7/8" (28)	27- 28	32	118	163	25	184
	FCA5 3 X 1.1/4" (40)	39- 40	46	155	215	25	298
	FCA5 3 X 1.5/8" (52)	50- 52	56	188	248	25	357
		FCA5 4 X 4,2	4,2- 5,0	22	54	99	50
FCA5 4 X 5		5,2- 6,2	22	54	99	50	101
FCA5 4 X 6		5,5- 6,5	22	54	99	50	101
FCA5 4 X 6,5		6,5- 7,5	22	54	99	50	101
FCA5 4 X 8		7,5- 8,5	22	54	99	50	101
FCA5 4 X 9		8,5- 9,5	22	70	115	50	124
FCA5 4 X 10		9,5- 10,5	22	70	115	50	124
FCA5 4 X 11		10,5- 11,5	22	70	115	50	124
FCA5 4 X 3/8" (14)		13- 14	22	74	119	50	114
FCA5 4 X 1/2" (17)		16- 17	22	102	147	50	136
FCA5 4 X 18,5		18- 19	32	107	152	25	210
FCA5 4 X 19,5		19- 20	32	107	152	25	209
FCA5 4 X 24		24,5- 25,5	32	155	200	25	271
FCA5 4 X 7/8" (28)		27- 28	32	155	200	25	248
FCA5 4 X 1.1/4" (40)		39- 40	46	204	269	25	366
FCA5 4 X 1.5/8" (52)		50- 52	56	248	313	25	441

2 ROADS

Figure	Name / code	øD	L	H ₁	H _{max}		gram
	FCA5 2 X 5/22	5,0- 6,0	22	17	62	50/100/200	60
	FCA5 2 X 6/22	5,6- 6,5	22	20	75	50/100/200	60
	FCA5 2 X 6,5/22	6,5- 7,3	22	20	75	50/100/200	60
	FCA5 2 X 8/22	8,0- 9,0	22	20	75	50/100/200	60
	FCA5 2 X 10	10,0- 11,0	32	23	78	50/100	80
	FCA5 2 X 11	10,0- 11,0	32	23	78	50/100	80
	FCA5 4 X 5/22	5,0- 6,0	22	28	73	50/100	78
	FCA5 4 X 6/22	5,6- 6,5	22	34	79	50/100	78
	FCA5 4 X 6,5/22	6,5- 7,3	22	34	79	50/100	78
	FCA5 4 X 8/22	8,0- 9,0	22	34	79	50/100	78
	FCA5 4 X 10	10,0- 11,0	32	40	85	50	96
	FCA5 4 X 11	10,0- 11,0	32	40	85	50	96
	FCA5 6 X 5/22	5,0- 6,0	22	39	84	50	96
	FCA5 6 X 6/22	5,6- 6,5	22	48	93	50	96
	FCA5 6 X 6,5/22	6,5- 7,3	22	48	93	50	96
	FCA5 6 X 8/22	8,0- 9,0	22	48	93	50	96
	FCA5 6 X 10	10,0- 11,0	32	57	122	50	112
	FCA5 6 X 11	10,0- 11,0	32	57	122	50	112

TRIANGLE

Figure	Name / code	øD	L	H ₁	H _{max}		gram
	FCA5 1 X 4-8	4,0- 8,0	22	26	71	50/100	64
	FCA5 1 X 9-16	9,0- 16,0	22	34	79	50/100	66
	FCA5 1 X 12-22	12,0- 22,0	22	41	86	50/100	70
	FCA5 1 X 14-22	14,0- 22,0	32	51	96	50	103
	FCA5 1 X 18-24	18,0- 24,0	32	53	98	50	122
	FCA5 1 X 26-32	26,0- 32,0	32	62	107	50	128
	FCA5 2 X 4-8	4,0- 8,0	22	43	118	50/100	80
	FCA5 2 X 9-16	9,0- 16,0	22	60	135	50/100	87
	FCA5 2 X 12-22	12,0- 22,0	22	74	149	50	98
	FCA5 2 X 14-22	14,0- 22,0	32	93	168	50	161
	FCA5 2 X 18-24	18,0- 24,0	32	97	172	50	192
	FCA5 2 X 26-32	26,0- 32,0	32	115	190	50	201
	FCA5 2 X 14-22 + 26-32	14,00-22,00 26,00- 32,00	32	105	165	50	205
	FCA5 3 X 4-8	4,0- 8,0	22	59	119	50	98
	FCA5 3 X 9-16	9,0- 16,0	22	84	144	50	108
	FCA5 3 X 12-22	12,0- 22,0	22	105	165	50	125
	FCA5 3 X 14-22	14,0- 22,0	32	135	195	50	253
	FCA5 3 X 18-24	18,0- 24,0	32	141	201	50	259
	FCA5 3 X 26-32	26,0- 32,0	32	163	228	50	274
	FCA5 2 X 8-14	8,0- 14,0	32	36	111	50	91
	FCA5 4 X 8-14	8,0- 14,0	32	63	123	50	131
	FCA5 6 X 8-14	8,0- 14,0	32	90	150	50	167

FCA4 FCA4S FCA5 FCA5S FCB FCB20 FCB20S FCC FCCS FCE FCEs FCM FCMs FCU FCUs FU FUs CU FBUs KUs KUs FFB FFS200 FFS105/ FFS200

OTHER COMBINATIONS

Figure	Name / code	øD	L	H ₁	H _{max}		gram
	FCA5 3 X 18-24 + 2 X 8-12	3 X 18-24 2 X 8-12	32	168	228	50	294
	FCA5 2 X 18-24 + 2 X 8-12	2 X 18-24 2 X 8-12	32	124	184	50	227
	FCA5 18-24 + 2 X 8-12	1 X 18-24 2 X 8-12	32	80	155	50	160
	FCA5 14-32 + 2 X 8-14	14-32 2 X 8-14	32	90	150	50	164
	FCA5 3 X 12-22 + 2 X 6,5/22	3 X 12-22 2 X 6,5/22	22	120	180	50	139
	FCA5 3 X 12-22 + 4 X 6,5/22	3 X 12-22 4 X 6,5/22	22	134	194	50	195
	FCA5 3 X 12-22 + 6 X 6,5/22	3 X 12-22 6 X 6,5/22	22	147	207	50	211
	FCA5 3 X 12-22 + 6 X 5/22	3 X 12-22 6 X 5/22	22	140	207	50	202
	FCA5 12-22 + 6 X 5/22	12-22 6 X 5/22	22	74	134	50	112
	FCA5 3 X 12-22 + 6,5	3 X 12-22 6,5	22	119	179	50	138
	FCA5 12-22 + 2 X 5/22	12-22 2 X 5/22	22	52	112	50	84
	FCA5 12-22 + 4 X 5/22	12-22 4 X 5/22	22	63	123	50	97
	FCA5 12-22 + 2 X 6,5/22	12-22 2 X 6,5/22	22	55	115	50	86
	FCA5 12-22 + 4 X 6,5/22	12-22 4 X 6,5/22	22	68	128	50	103
	FCA5 12-22 + 6,5	12-22 6,5	22	53	113	50	83
	FCA5 9-16 + 6,5	9-16 6,5	22	46	106	50	78
	FCA5 4,2 + 9-16	4,2 9-16	22	46	121	50	81
	FCA5 3 X 4,2 + 4,2 + 9-16	4,2 4,2 9-16	22	58	133	50	97
	FCA5 14-32 + 2 X 10	14-32 2 X 10	32	80	155	50	158