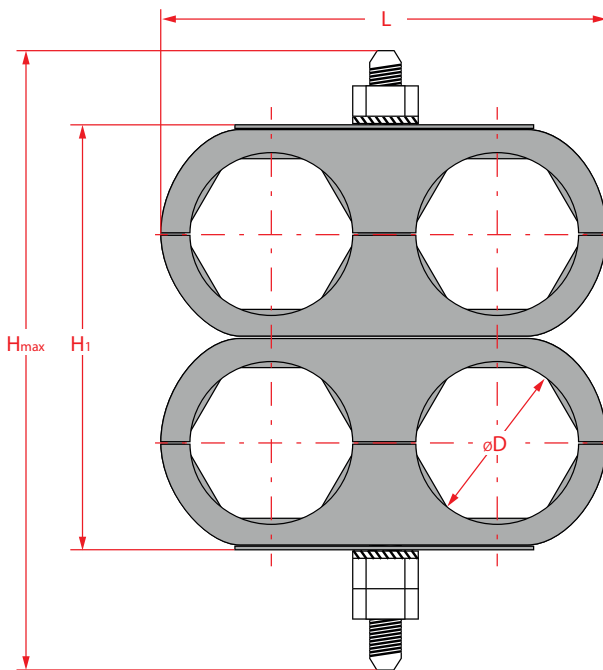


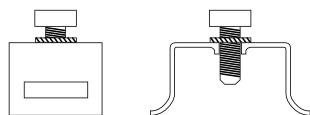
**Cable mount for section 40x22 mm flat bars**

**Material: stainless steel, polyamide with black glass fiber, resistant to UV radiation**

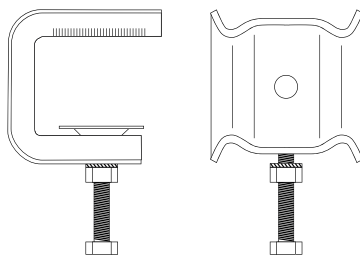
**CU**



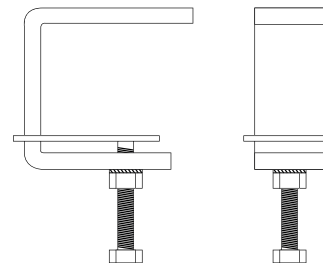
**COMPATIBLE WITH**



FFB



KU



KUs

Figure	Name / code	øD	L	H <sub>1</sub>	H <sub>max</sub>		gram
	CU 2 X 5,6	5,1- 6,0	32	13	58	50	52
	CU 2 X 8	7,0- 8,0	32	16	61	50	52
	CU 2 X 9	8,0- 9,2	35	16	61	50	55
	CU 2 X 10	9,8- 10,5	35	16	61	50	55
	CU 2 X 11	10,5- 11,5	35	16	61	50	55
	CU 2 X 3/8" (14)	13,0- 14,0	41	19	64	50	55
	CU 2 X 1/2" (17)	16,0- 17,0	58	27	72	50	79
	CU 2 X 7/8" (28)	27,0- 28,0	80	38	83	50	97
	CU 2 X 1.1/4" (40)	39- 40	112	55	100	50	147
	CU 2 X 1.5/8" (52)	50- 52	135	63	108	50	168
	CU 4 X 5,6	5,1- 6,0	32	26	71	50	65
	CU 4 X 8	7,0- 8,0	32	32	77	50	71
	CU 4 X 9	8,0- 9,2	35	32	77	50	71
	CU 4 X 10	9,8- 10,5	35	32	77	50	71
	CU 4 X 11	10,5- 11,5	35	32	77	50	71
	CU 4 X 3/8" (14)	13,0- 14,0	41	38	83	50	121
	CU 4 X 1/2" (17)	16,0- 17,0	58	54	99	50	118
	CU 4 X 7/8" (28)	27,0- 28,0	80	76	121	25/50	155
	CU 4 X 1.1/4" (40)	39- 40	112	110	155	25/50	255
	CU 4 X 1.5/8" (52)	50- 52	135	126	171	25/50	296
	CU 6 X 5,6	5,1- 6,0	32	39	84	50	78
	CU 6 X 8	7,0- 8,0	32	48	93	50	87
	CU 6 X 9	8,0- 9,2	35	48	93	50	87
	CU 6 X 10	9,8- 10,5	35	48	93	50	87
	CU 6 X 11	10,5- 11,5	35	48	93	50	87
	CU 6 X 3/8" (14)	13,0- 14,0	41	57	102	50	162
	CU 6 X 1/2" (17)	16,0- 17,0	58	81	126	50	157
	CU 6 X 7/8" (28)	27,0- 28,0	80	114	159	50	213
	CU 6 X 1.1/4" (40)	39- 40	112	165	210	25	363
	CU 6 X 1.5/8" (52)	50- 52	135	189	234	25	425
	CU 8 X 5,6	5,1- 6,0	32	52	97	50	81
	CU 8 X 8	7,0- 8,0	32	64	109	50	103
	CU 8 X 9	8,0- 9,2	35	64	109	50	103
	CU 8 X 10	9,8- 10,5	35	64	109	50	103
	CU 8 X 11	10,5- 11,5	35	64	109	50	103
	CU 8 X 3/8" (14)	13,0- 14,0	41	76	121	50	103
	CU 8 X 1/2" (17)	16,0- 17,0	58	108	153	50	197
	CU 8 X 7/8" (28)	27,0- 28,0	80	152	197	20/25	271
	CU 8 X 1.1/4" (40)	39- 40	112	220	265	20/25	469
	CU 8 X 1.5/8" (52)	50- 52	135	252	297	20/25	553